



# Trucks That Do More

## Dependability to Power Your Business

Business success depends on two things: a solid base and the power to grow. The new HINO300 Series gives your fleet construction that delivers long-lasting dependability and an engine designed for high-power, high-efficiency performance. A hard-working light duty truck that's easy on your bottom line, the new HINO300 Series is built for new business opportunities.

**HINO 300** Series

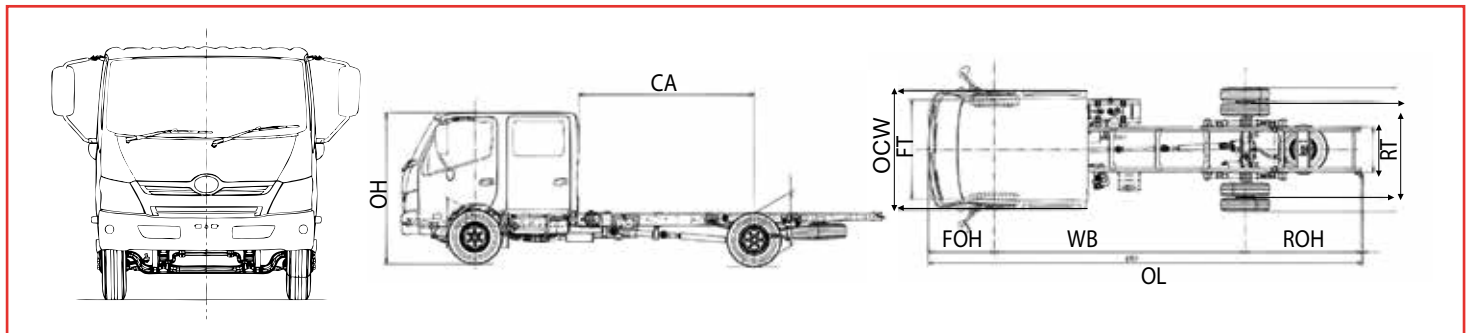
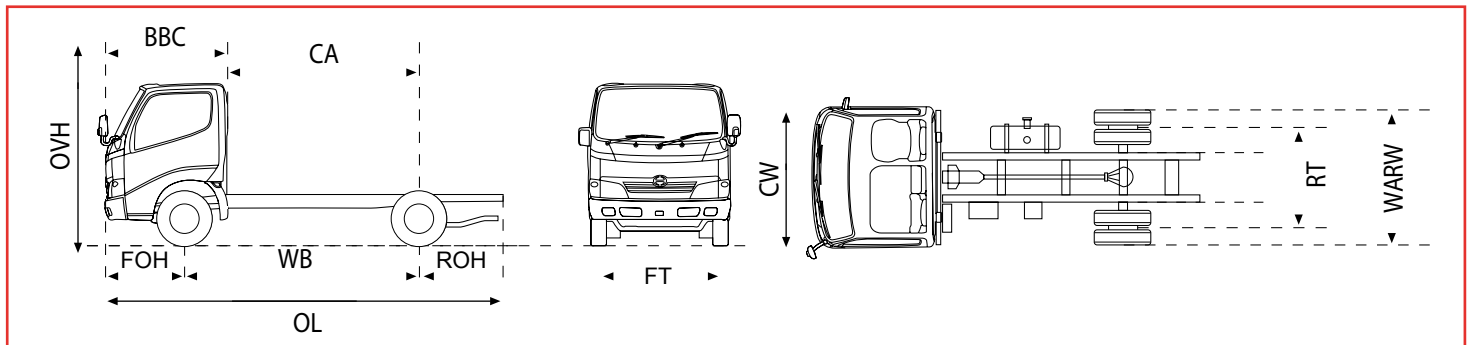


KATASHIKI model code	XZU710L-WKFRK3	XZU720L-WKFRK3	XZU730L-WKFTK3	XZU710L-ZKFRK3	XZU730L-ZKFTK3
Model code	814 MWB	814 LWB	914 SLWB	814 LWB	914 SSLWB
CAB TYPE	Wide Cab			Crew Cab	
<b>SPECIFICATIONS:</b>					
<b>ENGINE</b>					
Make	Hino	Hino	Hino	Hino	Hino
Model	N04C-WG	N04C-WG	N04C-WG	N04C-WG	N04C-WG
Configuration	4 Cylinder, in line	4 Cylinder, in line	4 Cylinder, in line	4 Cylinder, in line	4 Cylinder, in line
Displacement	4.009L	4.009L	4.009L	4.009L	4.009L
Aspiration	Turbo intercooled	Turbo intercooled	Turbo intercooled	Turbo intercooled	Turbo intercooled
Euro rating	Euro 3	Euro 3	Euro 3	Euro 3	Euro 3
Power (kW/rpm)	100 kW / 2 500 rpm	100 kW / 2 500 rpm	100 kW / 2 500 rpm	100 kW / 2 500 rpm	100 kW / 2 500 rpm
Power (hp/rpm)	136 hp / 2 500 rpm	136 hp / 2 500 rpm	136 hp / 2 500 rpm	136 hp / 2 500 rpm	136 hp / 2 500 rpm
Torque (Nm/rpm)	392 Nm / 1 600 rpm	392 Nm / 1 600 rpm	392 Nm / 1 600 rpm	392 Nm / 1 600 rpm	392 Nm / 1 600 rpm
<b>TRANSMISSION</b>					
Make	RE61 AISIN	RE61 AISIN	RE61 AISIN	RE61 AISIN	RE61 AISIN
Type	Synchromesh	Synchromesh	Synchromesh	Synchromesh	Synchromesh
Drive	4 x 2	4 x 2	4 x 2	4 x 2	4 x 2
Ratio	1st 6.370 : 1 - 6 th 0.703 : 1	1st 6.370 : 1 - 6 th 0.703 : 1	1st 6.370 : 1 - 6 th 0.703 : 1	1st 6.370 : 1 - 6 th 0.703 : 1	1st 6.370 : 1 - 6 th 0.703 : 1
Gears	6 + reverse	6 + reverse	6 + reverse	6 + reverse	6 + reverse
<b>CLUTCH</b>					
Type	Dry single plate	Dry single plate	Dry single plate	Dry single plate	Dry single plate
Diameter	300 mm	300 mm	300 mm	300 mm	300 mm
<b>STEERING</b>					
Power steering	Standard	Standard	Standard	Standard	Standard
Telescopic & tilt steering column	Standard	Standard	Standard	Standard	Standard
Type	Recirculating ball	Recirculating ball	Recirculating ball	Recirculating ball	Recirculating ball
Turning radius on tyre	6,2 m	6,9 m	7,4 m	6,9 m	7,4 m
Turning radius (wall to wall)	6,9 m	7,6 m	8,1 m	7,6 m	8,1 m
<b>SUSPENSION</b>					
Front - type	Spring	Spring	Spring	Spring	Spring
configuration	Semi elliptic leaf	Semi elliptic leaf	Semi elliptic leaf	Semi elliptic leaf	Semi elliptic leaf
shock absorbers	Double acting	Double acting	Double acting	Double acting	Double acting
Rear - type	Spring	Spring	Spring	Spring	Spring
configuration	Semi elliptic leaf	Semi elliptic leaf	Semi elliptic leaf	Semi elliptic leaf	Semi elliptic leaf
auxiliary spring pack	Yes	Yes	Yes	Yes	Yes
shock absorbers	Double acting	Double acting	Double acting	Double acting	Double acting
<b>REAR AXLE</b>					
Type	Hypoid	Hypoid	Hypoid	Hypoid	Hypoid
	Single reduction	Single reduction	Single reduction	Single reduction	Single reduction
	Full floating	Full floating	Full floating	Full floating	Full floating
Ratio	5.125:1	5.125:1	5.142:1	5.125:1	5.142:1
<b>BRAKES</b>					
System	Vacuum assisted hydraulic	Vacuum assisted hydraulic	Vacuum assisted hydraulic	Vacuum assisted hydraulic	Vacuum assisted hydraulic
Front	Drum	Drum	Drum	Drum	Drum
Rear	Drum	Drum	Drum	Drum	Drum
Auxiliary	Exhaust	Exhaust	Exhaust	Exhaust	Exhaust
<b>RIMS &amp; TYRES</b>					
Tyre size	7.50R16 12PR	7.50R16 12PR	7.50R16 14PR	7.50R16 12PR	7.50R16 14PR
Rim size	16 x 6.00GS-127	16 x 6.00GS-127	16 x 6.00GS-127	16 x 6.00GS-127	16 x 6.00GS-127
Wheel type	6 stud	6 stud	6 stud	6 stud	6 stud
Rear wheel configuration	Double	Double	Double	Double	Double
Spare wheel carrier	Equipped	Equipped	Equipped	Equipped	Equipped
<b>ELECTRICAL</b>					
Type	24V negative earth	24V negative earth	24V negative earth	24V negative earth	24V negative earth
Batteries qty	2 x 12V	2 x 12V	2 x 12V	2 x 12V	2 x 12V
Batteries capacity	60A-h	60A-h	60A-h	60A-h	60A-h
Alternator	24V - 30A	24V - 30A	24V - 30A	24V - 30A	24V - 30A
Starter	24V - 4,5kW	24V - 4,5kW	24V - 4,5kW	24V - 4,5kW	24V - 4,5kW

KATASHIKI model code	XZU710L-WKFRK3	XZU720L-WKFRK3	XZU730L-WKFTK3	XZU710L-ZKFRK3	XZU730L-ZKFTK3
Model code	814 MWB	814 LWB	914 SLWB	814 LWB	914 SSLWB
CAB TYPE	Wide Cab			Crew Cab	
<b>SPECIFICATIONS:</b>					
<b>OTHER SPECIFICATIONS</b>					
Air conditioner	Optional	Optional	Optional	Optional	Optional
Audio	Optional	Optional	Optional	Optional	Optional
Fuel tank capacity (with locking cap)	100 litres	100 litres	100 litres	100 litres	100 litres
Power steering	Standard	Standard	Standard	Standard	Standard
Reverse back buzzer	Standard	Standard	Standard	Standard	Standard
Safety belts	Standard	Standard	Standard	Standard	Standard
Seat upholstery	Vinyl	Vinyl	Vinyl	Vinyl	Vinyl
Seating capacity	3	3	3	3	3

**DIMENSIONS ALL IN MM (ALLOW 5 MM TOLERANCE ON ALL DIMENSIONS)**

OL - overall length	6 120	6 740	7 250	6 120	7 250
OCW - Overall cab width including mudguards	1 995	1 995	2 055	1 995	2 055
OH - Overall height (Top of cab)	2 235	2 235	2 260	2 265	2 275
WB - Wheelbase	3 430	3 870	4 200	3 430	4 200
FOH - Front overhang	1 110	1 110	1 110	1 110	1 110
ROH - Rear overhang	1 580	1 580	1 580	1 575	1 940
BBC - Bumper to back of cab	1 670	1 670	1 670	1 670	1 670
CA - Cab to axle	2 870	3 315	3 645	1 755	2 525
MGC - Minimum ground clearance	210	210	200	210	195
FT - Front wheel track	1 655	1 655	1 655	1 655	1 655
RT - Rear wheel track	1 520	1 520	1 590	1 520	1 590
WARW - Width across rear wheels	1 985	1 985	1 985	1 985	2 055
FW - Frame outside width	750	750	750	750	750



**MASS DATA (IN KG):-**

Chassis Tare - front	1 580	1 595	1 630	1 690	1 755
rear	895	900	955	1 000	1 040
total	2 475	2 495	2 585	2 690	2 795
G/A - front	3 100	3 100	3 100	3 100	3 100
rear	5 100	5 100	5 100	5 500	6 200
A - front tyres	2 660	2 660	2 660	2 880	3 020
rear tyres	5 060	5 060	5 060	5 480	5 760
Gross Vehicle Mass (GVM)	7 500	7 500	8 500	7 500	8 500